

ZAPI intelligent display provides vital information such as speed and battery discharge status and is used to customize performance parameters



ZAPI intelligent display for GB2R model

Standard configuration

- 38V electric system
- All AC motors with ZAPI controls
- 218" (5330mm) 3-stage full free lift mast
- Integral pantograph with tilt and sideshift
- Standard forks
- Load backrest
- Polyurethane tires
- Electromagnetic proportional valve
- Battery rollers
- Overhead guard
- LED combined display
- Front work light
- LED warning light
- Automatic steering slow down
- Electromagnetic, regenerative service brake
- Automatic park brake
- Low noise gear pump
- DC/DC converter

Optional

- 48V electric system
- Additional mast heights - 198-300" (5025-7620mm)
- Lifting height pre-selector
- Monitoring system
- Additional batteries including Hoppecker and FAAM
- Battery charger
- Custom paint
- Additional operator protection guard
- Battery loading and unloading cart

3500-4000lbs (1.6-1.8t)
36/48V Reach Truck
G2 Series AC Electric
CQD16-18X1



CQD16-18X1
3500-4000lbs (1.6-1.8t)



Multi-function joystick handle and proportional controls produce are easy and intuitive to use



Operator compartment provides comfort and efficient operation



Great visibility for improved operation and safety

Operator comfort

- > Rear padding and armrest help reduce fatigue
- > Multifunction control is ergonomically designed and easy to use
- > All controls are within easy reach to help reduce body strain
- > Compartment floor is angled and spring suspended to reduce leg and back strain

Improved operator's view

- > Large, rounded overhead guard is stylish and combined with strategically angled bars provides maximum visibility
- > Newly designed, wide view mast with special chains enlarges the operator's view looking forward

Safety

- > Side stance improves operator's visibility both forward and backward
- > Automatic park brake applies when operator leaves the compartment or shuts forklift off
- > Programmable automatic deceleration in turns adds to safe operation
- > Warning lights and OPS system come standard

Working efficiency

- > Small turning radius makes steering flexible and easy
- > With ZAPI control and AC powered motors, drive and lift systems can be programmed for maximum efficiency and performance
- > The large battery capacity for longer single shift work operation
- > With standard battery roller and side removal, battery change is quick and easy

Energy efficiency

- > With an optimized hydraulic system, truck is more energy efficient
- > All LED lights saves 80% of lighting energy
- > Regenerative motor braking recycles more energy during braking cycles
- > Programmable speed and acceleration settings can be set for maximum energy efficiency

Serviceability

- > Side door gives easy access to drive motor and gearbox
- > Chassis components are well laid-out and can be accessed with removable top and front covers



ANHUI HELI CO., LTD.
 DISTRIBUTOR: ANHUI HELI INDUSTRIAL VEHICLE IMP. & EXP. CO., LTD.
 ADD: NO 668 Fangxing Street, Hefei 230601, China
 TEL: (86 551) 63639068, 63639566
 FAX: (86 551) 63639966
 WEBSITE: www.helichina.net

AUTHORIZED DEALER

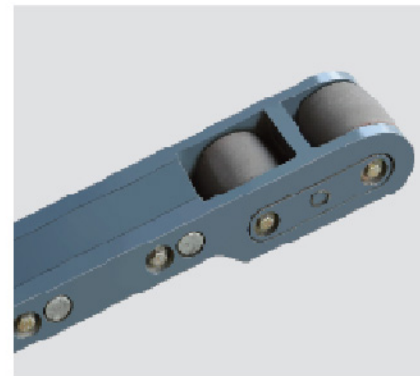


Wide view mast and pantograph

- Comes standard with side shift, tilt and reach functions
- Wide-view mast and pantograph maximize operator's view
- Lift cylinders have end stroke cushions for smooth stopping
- ZAPI controller provides in transit buffers to ensure smooth lifting and lowering throughout the lifting cycle
- The controller also provides in-transit and end stroke buffer for the reach function

Overhead guard

- Overhead guard attaches directly to mast to eliminate front guard legs
- Optimally designed for maximum operator visibility
- Standard with left side guard leg for added strength
- Optional operator compartment guard leg for added safety



Bolt on outrigger boxes and easy change load wheels



Easy access to drive components

Heli's New Reach Trucks

Designed for productivity



ZAPI smart display & multi-function joystick

Designed for safety



Standard lights, mesh finger guard & overhead guard with leg

Designed for serviceability



Easy to remove covers to access all electric and hydraulic components

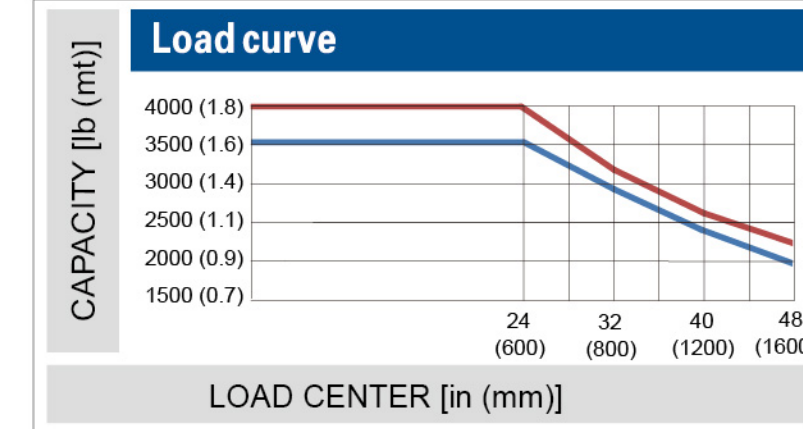
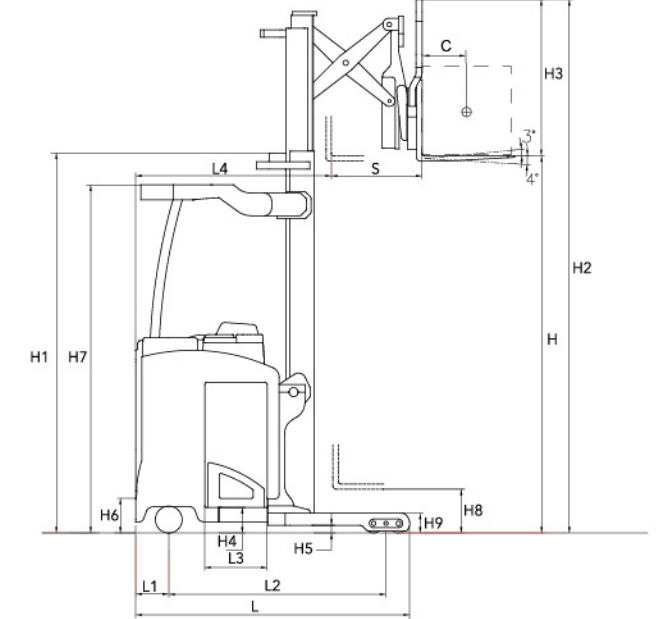
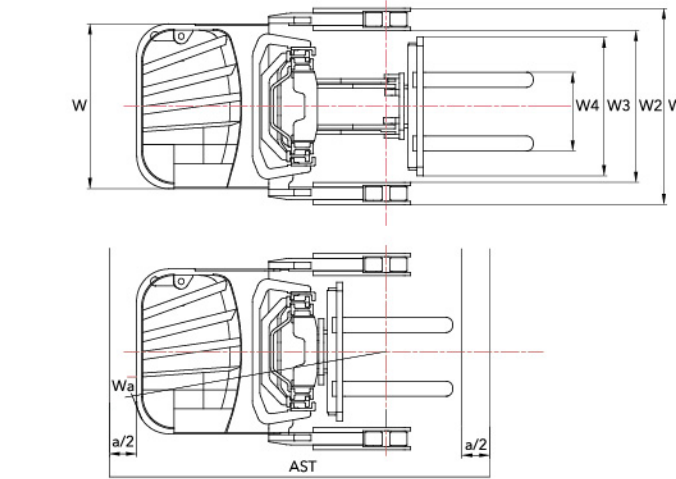
CQD16-18X1
3500-4000lbs (1.6-1.8t)

| Manufacturer's Data and Design Characteristics | | | | | | | | | |
|--|---|--------------|------|--------------|--------------|--------------|--------------|------------|--|
| Characteristics | | | | | | | | | |
| 1.01 | Manufacturer | HELI | | | | | | | |
| 1.02 | Model | CQD16X1 | | | | CQD18X1 | | | |
| 1.03 | Configuration number | GB2R | | | | GB2R | | | |
| 1.04 | Load capacity | Q | lb | kg | 3500 | 1600 | 4000 | 1800 | |
| 1.05 | Load center | C | in | mm | 24 | 600 | 24 | 600 | |
| 1.06 | Power mode | Electric | | | | | | | |
| 1.07 | Operator Type | Stand | | | | | | | |
| 1.08 | Wheel base | L2 | in | mm | 55 | 1407 | 57 | 1457 | |
| 1.09 | Voltage | | v | v | 36 | 36 | 36 | 36 | |
| Tire | | | | | | | | | |
| 2.01 | Tire type | | | Polyurethane | Polyurethane | Polyurethane | Polyurethane | | |
| 2.02 | Wheel number,drive/load/caster (X=drive wheel) | | | 1x/4/2 | 1x/4/2 | 1x/4/2 | 1x/4/2 | | |
| 2.03 | Wheel size,load (diameter x length) | | in | mm | Φ5×3.7 | Φ127×95 | Φ5×3.7 | Φ127×95 | |
| 2.04 | Wheel size,drive (diameter x length) | | in | mm | Φ13×5.5 | Φ330×140 | Φ13×5.5 | Φ330×140 | |
| 2.05 | Wheel size,caster (diameter x length) | | in | mm | Φ7.4×3 | Φ178×76 | Φ7.4×3 | Φ178×76 | |
| Dimensions | | | | | | | | | |
| 3.01 | Lift height (with standard mast) | H | in | mm | 218 | 5530 | 218 | 5530 | |
| 3.02 | Mast height,lowered | H1 | in | mm | 99 | 2526 | 99 | 2526 | |
| 3.03 | Free lift | H8 | in | mm | 59 | 1490 | 59 | 1490 | |
| 3.04 | Fork size (thickness x width x length) | | in | mm | 1.4×3.9×36.2 | 35×100×920 | 1.4×3.9×36.2 | 35×100×920 | |
| 3.05 | Fork adjusting width | W4 | in | mm | 9.6-28.5 | 244-724 | 9.6-28.5 | 244-724 | |
| 3.06 | Tilt (forward/backward) | | deg | deg | 3°/4° | 3°/4° | 3°/4° | 3°/4° | |
| 3.07 | Fork sideshifting | | in | mm | ±2 | ±50 | ±2 | ±50 | |
| 3.08 | Truck body length (fork excluded) | L | in | mm | 71 | 1815 | 73 | 1865 | |
| 3.09 | Truck body width | W | in | mm | 43 | 1090 | 43 | 1090 | |
| 3.10 | Straddle leg, inside width | W2 | in | mm | 33-51 | 845-1300 | 33-51 | 845-1300 | |
| 3.11 | Straddle leg, outside width | W1 | in | mm | 47-59 | 1192-1492 | 47-59 | 1192-1492 | |
| 3.12 | Fork carriage width | W3 | in | mm | 33 | 842 | 33 | 842 | |
| 3.13 | Reach distance | S | in | mm | 24 | 600 | 24 | 600 | |
| 3.14 | Height of overhead guard | H7 | in | mm | 91 | 2320 | 91 | 2320 | |
| 3.15 | Battery bottom clearance | H4 | in | mm | 7 | 180 | 7 | 180 | |
| 3.16 | Straddle clearance | H5 | in | mm | 2 | 50 | 2 | 50 | |
| 3.17 | Straddle height | H9 | in | mm | 5 | 130 | 5 | 130 | |
| 3.18 | Step height | H6 | in | mm | 10 | 250 | 10 | 250 | |
| 3.19 | Minimum turning radius | Wa | in | mm | 67 | 1695 | 69 | 1745 | |
| 3.20 | Rear overhang (drive wheel center to rear of frame) | L1 | in | mm | 10 | 252 | 10 | 252 | |
| 3.21 | Front fork face to rear of frame distance | L4 | in | mm | 55 | 1396 | 55 | 1396 | |
| 3.22 | Aisle width with pallet 48"Lx48"W (1200x1200) | Ast | in | mm | 109 | 2771 | 111 | 2812 | |
| 3.23 | Aisle width with pallet 40"Lx40"W (1000x1000) | Ast | in | mm | 100 | 2550 | 102 | 2591 | |
| Performance | | | | | | | | | |
| 4.01 | Travel speed loaded/unloaded | mph | km/h | 6.5/7.3 | 10.5/11.8 | 6.5/7.3 | 10.5/11.8 | | |
| 4.02 | Lift speed loaded/unloaded | fpm | mm/s | 65/100 | 330/510 | 65/100 | 330/510 | | |
| 4.03 | Lowering speed loaded/unloaded | fpm | mm/s | 98/98 | 500/500 | 98/98 | 500/500 | | |
| 4.04 | Reach speed loaded/unloaded | fpm | mm/s | 22/30 | 110/150 | 22/30 | 110/150 | | |
| 4.05 | Max.gadeability loaded/unloaded - 5 minute rating | % | % | /15 | 10/15 | 10/15 | 10/15 | | |
| Weight | | | | | | | | | |
| 5.01 | Total weight(without battery) | lb | kg | 5400 | 2450 | 5644 | 2560 | | |
| 5.02 | Axle loading, no load (front/rear) | lb | kg | 4321/2844 | 1960/1290 | 4762/2954 | 2160/1340 | | |
| 5.03 | Axle loading, loaded (front/rear) | lb | kg | 3527/7165 | 1600/3250 | 3968/7606 | 1800/3450 | | |
| Battery | | | | | | | | | |
| 6.01 | Capacity at 6 hr.Discharge rate | kwh | Ah | 27.2 | 775 | 32.6 | 930 | | |
| 6.02 | Maximum battery weight | kwh | Ah | 2100 | 953 | 2350 | 1066 | | |
| 6.03 | Minimum battery weight | lb | kg | 1600 | 726 | 1850 | 839 | | |
| 6.04 | Battery box dimension | in | mm | 39×14×31 | 985×365×788 | 39×14×31 | 985×415×788 | | |
| Motor and controller | | | | | | | | | |
| 7.01 | Driving motor power | HP | kw | 9.4 | 7 | 9.4 | 7 | | |
| 7.02 | Lifting motor power | HP | kw | 20.1 | 15 | 20.1 | 15 | | |
| 7.03 | Steering motor power | HP | kw | 0.8 | 0.6 | 0.8 | 0.6 | | |
| 7.04 | Type of driving control | MOSFET/AC | | | | | | | |
| 7.05 | Type of lifting control | MOSFET/AC | | | | | | | |
| 7.06 | Type of steering control | MOSFET/AC | | | | | | | |
| 7.07 | Transmission box | HELI special | | | | | | | |
| 7.08 | Service brake | Electric | | | | | | | |
| 7.09 | Hydraulic system working pressure | PSI | Mpa | 3050 | 21 | 3050 | 21 | | |

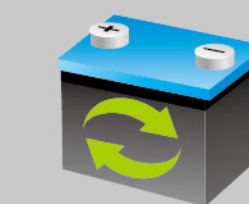
NOTE: For detailed information about battery,please contact your authorized HELI dealer. These are "Zero Clearance" aisles in the table and require an additional 150mm or more to be added to provide for easier maneuvering.

| WIDE VIEW FULL FREE 3-STAGE MAST | | | | | | | | | | | | | | | | | | | | |
|----------------------------------|------------------------|---------|--------------------------------|---------|---------|---------|------------------------|---------|--|---------|--------------------------|---------|------|------|------|------|------|------|------|------|
| Mast model | Fork Height h3 (in/mm) | | Free lifting height h3 (in/mm) | | | | Mast height h1 (in/mm) | | Load Capacity at 24" Load Center (lb) (kg) | | Service Weight (lb) (kg) | | | | | | | | | |
| | CQD16X1 | CQD18X1 | CQD16X1 | CQD18X1 | CQD16X1 | CQD18X1 | CQD16X1 | CQD18X1 | CQD16X1 | CQD18X1 | CQD16X1 | CQD18X1 | | | | | | | | |
| ZSM502 | 198 | 5025 | 198 | 5025 | 55 | 1390 | 55 | 1390 | 95 | 2413 | 95 | 2413 | 3527 | 1600 | 3968 | 1800 | 7374 | 3345 | 7672 | 3480 |
| ZSM533 | 210 | 5330 | 210 | 5330 | 59 | 1490 | 59 | 1490 | 99 | 2526 | 99 | 2526 | 3527 | 1600 | 3858 | 1750 | 7419 | 3365 | 7716 | 3500 |
| ZSM610 | 240 | 6095 | 240 | 6095 | 69 | 1745 | 69 | 1745 | 109 | 2781 | 109 | 2781 | 3527 | 1600 | 3858 | 1750 | 7573 | 3435 | 7871 | 3570 |
| ZSM685 | 270 | 6855 | 270 | 6855 | 79 | 2000 | 79 | 2000 | 120 | 3036 | 120 | 3036 | 2425 | 1100 | 2866 | 1300 | 7683 | 3485 | 7981 | 3620 |
| ZSM762 | 300 | 7620 | 300 | 7620 | 90 | 2285 | 90 | 2285 | 131 | 3321 | 131 | 3321 | 2094 | 950 | 2425 | 1100 | 7837 | 3555 | 8135 | 3690 |

AST: Right angle stacking aisle width a: Clearance a=150mm



NOTE: Capacities shown are reference only. They are computed with mast in vertical position based on 48 inch cube load configuration with center of gravity at true center of cube and standard forks. Longer forks and unusually wide loads can reduce capacity. Consult dealer for any questions about capacities.



THE PERFORMANCE OF BATTERY INCREASES
Renewable energy technologies ↑15%

With the use of AC controlling renewable energy technologies, the forklift is more energy-saving and the working hour of the battery is extended by 15%.

Certifications:These HELI models are CE&CQC certified and also meet all requirements of ANSI B56.1-2012 and OSHA Regulation 29CFR1910.178.All dimensional and performance specifications shown are for reference and subject to change without notice.