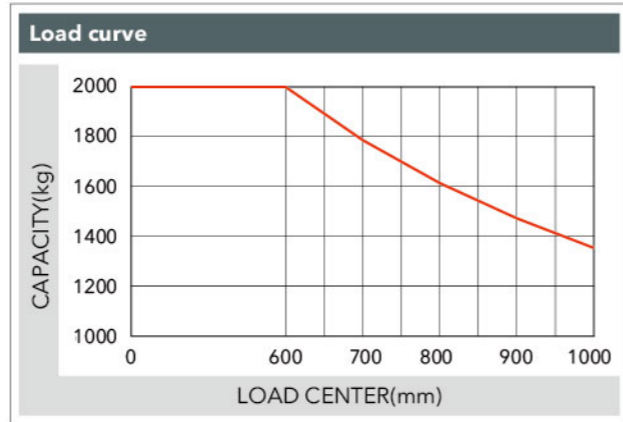
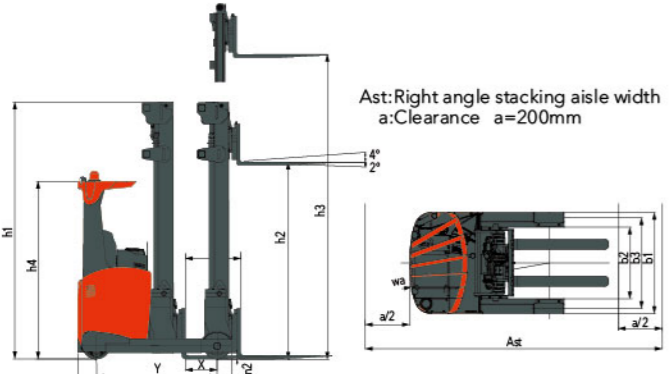


WIDE VIEW MAST						
Mast model	Lifting height (mm)h3	Free lifting height (mm)h2	Mast height, lowered (mm)h1	Load capacity (kg)	Total weight (kg)	Fork tilt angle (front/rear) α / β
M290	2900	80	2200	2000	3290	2°/4°
M320	3200	80	2350	2000	3300	2°/4°
M360	3600	80	2550	2000	3330	2°/4°
M380	3800	80	2650	2000	3350	2°/4°
M400	4000	80	2750	2000	3360	2°/4°
M420	4200	80	2850	2000	3380	2°/4°
M440	4400	80	2950	2000	3390	2°/4°
M460	4600	80	3050	2000	3440	2°/4°
M500	5000	80	3250	1900	3540	2°/4°

WIDE VIEW FULL FREE 3-STAGE MAST						
Mast model	Lifting height (mm)h3	Free lifting height (mm)h2	Mast height, lowered (mm)h1	Load capacity (kg)	Total weight (kg)	Fork tilt angle (front/rear) α / β
ZSM460	4600	1280	2314	2000	3490	2°/4°
ZSM480	4800	1340	2381	2000	3510	2°/4°
ZSM540	5400	1540	2581	2000	3570	2°/4°
ZSM570	5700	1640	2681	1900	3600	2°/4°
ZSM630	6300	1840	2881	1900	3660	2°/4°
ZSM675	6750	1940	2982	1800	3705	2°/4°
ZSM700	7000	2030	3065	1700	3730	2°/4°
ZSM715	7150	2080	3115	1700	3750	2°/4°
ZSM750	7500	2190	3232	1700	3780	2°/4°
ZSM800	8000	2360	3398	1500	3830	2°/4°
ZSM850	8500	2530	3564	1300	3880	2°/4°



↑15%
THE PERFORMANCE OF BATTERY INCREASES

Renewable energy technologies

With the use of AC controlling renewable energy technologies, the forklift is more energy-saving and the working hour of the battery is extended by 15%.

Note: The vertical axis denotes capacity and the horizontal axis denotes load center, which is calculated from front face of fork to centre of load. Standard load is one cubic metre hence 500mm load centre. When tilting forward or using non-standard forks, the capacity will be reduced as load center is increased.

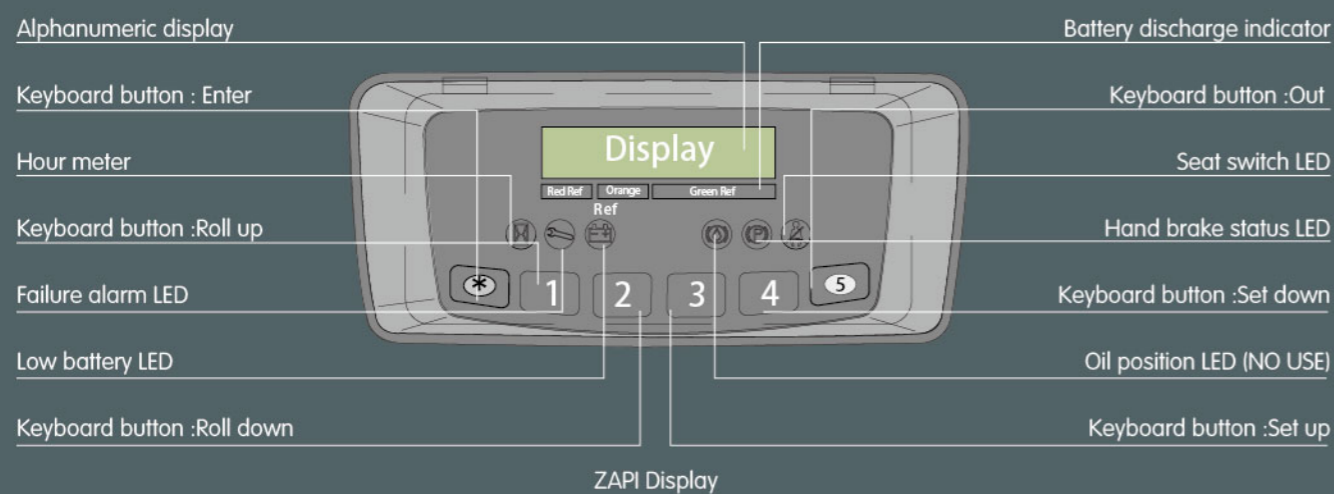
Manufacturer's Data and Design Characteristics

Character			
1.01	Manufacturer		HELI
1.02	Model		COD20
1.03	Configuration number		GC25
1.04	Load capacity	Q kg	2000
1.05	load center distance	C mm	600
1.06	Power mode		Battery
1.07	Driving mode		Seated
1.08	Wheel base	Y mm	1515
Tyre			
2.01	Tyre type		Polyurethane
2.02	Wheels, number front/rear (x=driven wheels)		1x/2
2.03	Track width, rear	b3 mm	1143
2.04	Wheel size, rear		φ 330×100
2.05	Wheel size, front		φ 343×114
Size			
3.01	Lift height	h3 mm	4600
3.02	Free lift	h2 mm	1280
3.03	Mast height, lowered	h1 mm	2314
3.04	Fork size: thickness×width×length	s/e/l mm	40×122×1150
3.05	Fork adjusting width		0~724
3.06	Fork tilt angle (front/rear)	α/β °	2°/4°
3.07	Fork sideshifting		±75
3.08	Truck body length (fork excluded)	L mm	1942
3.09	Truck body width	b1 mm	1270
3.10	Distance between support arms	b2 mm	900
3.11	Reach distance	L4 mm	620
3.12	Height of overhead guard (cab)	h4 mm	2215
3.13	Ground clearance, below mast	m2 mm	75
3.14	Turning radius	Wa mm	1751
3.15	Load distance, centre of support arm wheel to face of forks	X mm	383
3.16	Aisle width with pallet 1200x1200 along forks	Ast mm	2965
3.17	Aisle width with pallet 1000 x 1200 across forks	Ast mm	2810
Performance			
4.01	Travelling speed: with/without load	km/h	10/11
4.02	Lifting speed: with/without load	m/s	0.32/0.44
4.03	Lowering speed: with/without load	m/s	0.5/0.5
4.04	Reach speed, with/without load	m/s	0.11/0.11
4.05	Maximum climbing ability, with/without load	%	10/15
Weight			
5.01	Total weight (with battery)	kg	3490
5.02	Axle load, fork outreached, without load, front/rear	kg	1620/1870
5.03	Axle load, fork retracted, without load, front/rear	kg	2180/1310
5.04	Axle load, fork outreached, with load, front/rear	kg	650/4840
5.05	Axle load, fork retracted, with load, front/rear	kg	2060/3430
Battery			
6.01	Battery voltage/capacity Ks	V/Ah	48/500
6.02	Battery weight	kg	860
6.03	Battery box dimension	mm	1220×352×784
Motor and controller			
7.01	Drive motor power	kW	6
7.02	Lifting motor power	kW	11
7.03	Steering motor power	kW	0.4
7.04	Type of driving control		MOSFET/AC
7.05	Type of lifting control		MOSFET/AC
7.06	Type of steering control		MOSFET/AC
7.07	Transmission box		HELI special transmission box
7.08	Service brake		Hydraulic Brake
7.09	Hydraulic system working pressure	Mpa	18.5

NOTE: *Detailed information about battery, please contact our salesman or engineer.

HELI

The reliable special instrument gives a complete display of the vital information, like operation status, fault detection, etc. It ensures the operator predominate the vehicle status more intuitive and convenient.



STANDARD CONFIGURATION

- Travelling motor 48v/6.0kw
- Lifting motor 48v/11.0kw
- Steering motor 48v/0.4kw
- ZAPI travelling motor controller
- ZAPI lifting motor controller
- ZAPI steering motor controller
- Battery 48v/500Ah
- DC/DC converter
- Low noisy gear pump
- Control valve (four throw)
- 4600mm three stage full free lift mast
- Integral sideshifter
- Standard fork
- Backrest
- Polyurethane tyre
- LED meter
- Front working light
- Warning light

OPTIONAL DEVICE

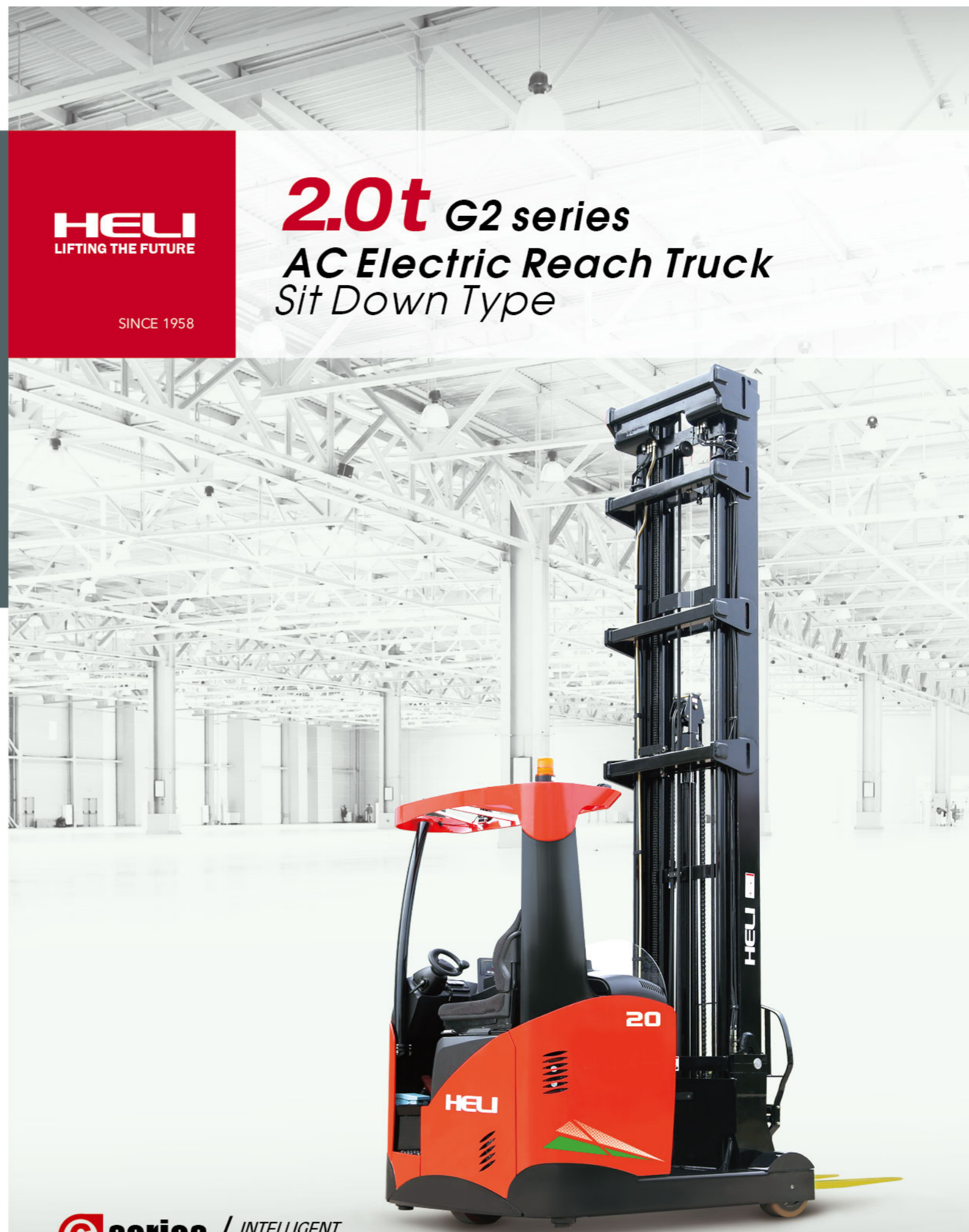
- Three-stage full free lift mast (other lifting height)
- Two-stage wide view mast
- Fork with other length
- Fork extension
- Monitoring system
- Battery 48v/560Ah
- Other battery
- Germany hoppecker battery
- Italy FAAM battery
- Japan GS battery
- Battery charger
- Customer made color

* Details of specifications and equipment are based on information available at time of printing and may change without notice.



ANHUI HELI CO., LTD.
ADD: NO.468 Fangxing Street, Economical Development Zone, Hefei, P.R.China
TEL : (86 551) 63639069 (America) 63639258 (Europe) 63639358 (Asia)
63662105 (Africa & Middle East) 63639530 (Warehouse Equipment)
63639531 (Wheel loader)
FAX : (86 551) 63639966
WEBSITE : <http://www.helichina.net>
Email : hel@helichina.net

AUTHORIZED DEALER



HELI
LIFTING THE FUTURE

SINCE 1958

2.0t G2 series
AC Electric Reach Truck
Sit Down Type

2.0t G2 series

AC Electric Reach Truck Sit Down Type

FEATURES OF THE COMPLETED TRUCK

Three phase AC type motor technology

- > Three phase AC type motor control on travelling, lifting and steering
- > Good acceleration
- > Fast and sensitive respond on travel direction shifting Free from maintenance motor without carbon brush having long service life and low maintenance cost
- > Energy regenerating during deceleration extending operation hours

Newly designed hydraulic system

- > Newly designed hydraulic system with high working efficiency
- > High power lifting motor
- > MOSFET lifting speed governing electric controller
- > New type low noisy gear pump

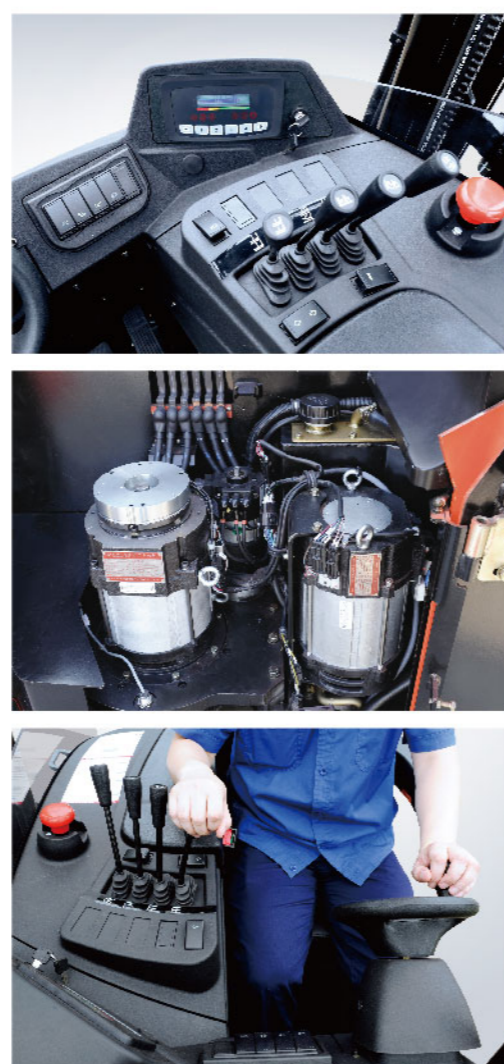
G series / INTELLIGENT
ENVIRONMENT-FRIENDLY

Advanced EPS electric powered steering

- > EPS electric powered steering offering easy, flexible, high efficient and mute operation
- > Steering motor controller
- > Automatic centering function
- > Automatic limit on speed and accelerated speed when steering

Optimized intelligent design

- > ZAPI travelling motor controller
- > ZAPI lifting motor controller
- > ZAPI steering motor controller
- > CAN bus technology
- > Emergency power off of both main circuit and control circuit
- > Parking brake on slope
- > Operation sequence protection
- > Travelling speed control
- > Electric controller self protection



Displayer

- > High quality meter displaying important operating data
- > 180° steering angle position display
- > Display of battery quantity and fault code
- > Travelling mode selection
- > Lifting lock indication
- > Hour meter
- > Labor hour display

Wide view mast

- > Good view when loaded
- > Integral sideshifter
- > Mast vertical, fork tilt
- > High residual load capacity at high lift height
- > Buffering during lifting and lowering
- > Buffering on lifting and lowering limit
- > High quality parts ensures long service life
- > Lift height range:4600-8500mm

Comfort cab

- > Comfort cab offering driver good working environment and easy operation
- > Easy reach to important operation
- > Adjustable seat (seat position /backrest angle)

Overhead guard

- > Fence on top of the overhead guard offering driver wide view
- > Beveled view angle design with front ring beam meeting humanized requirements

