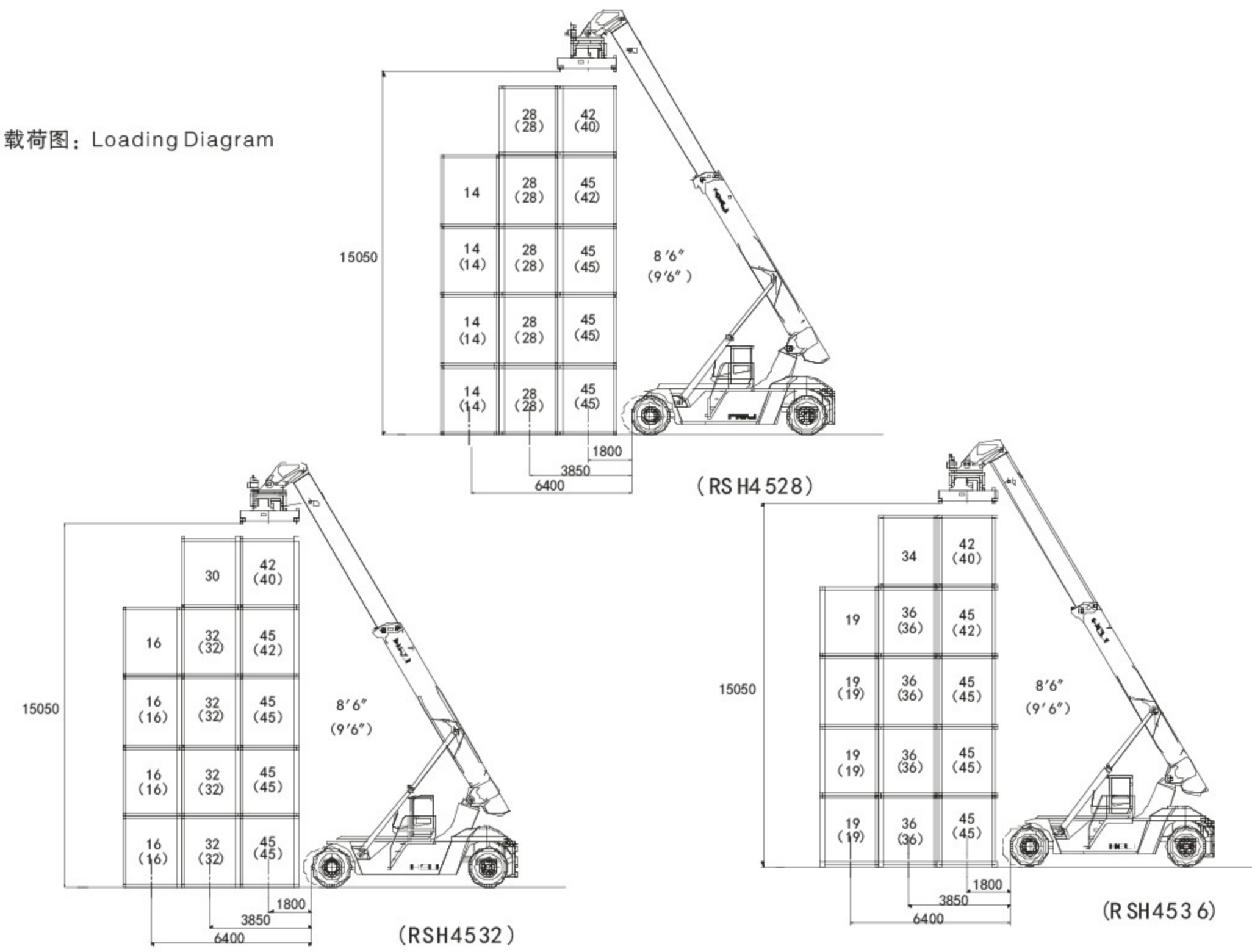


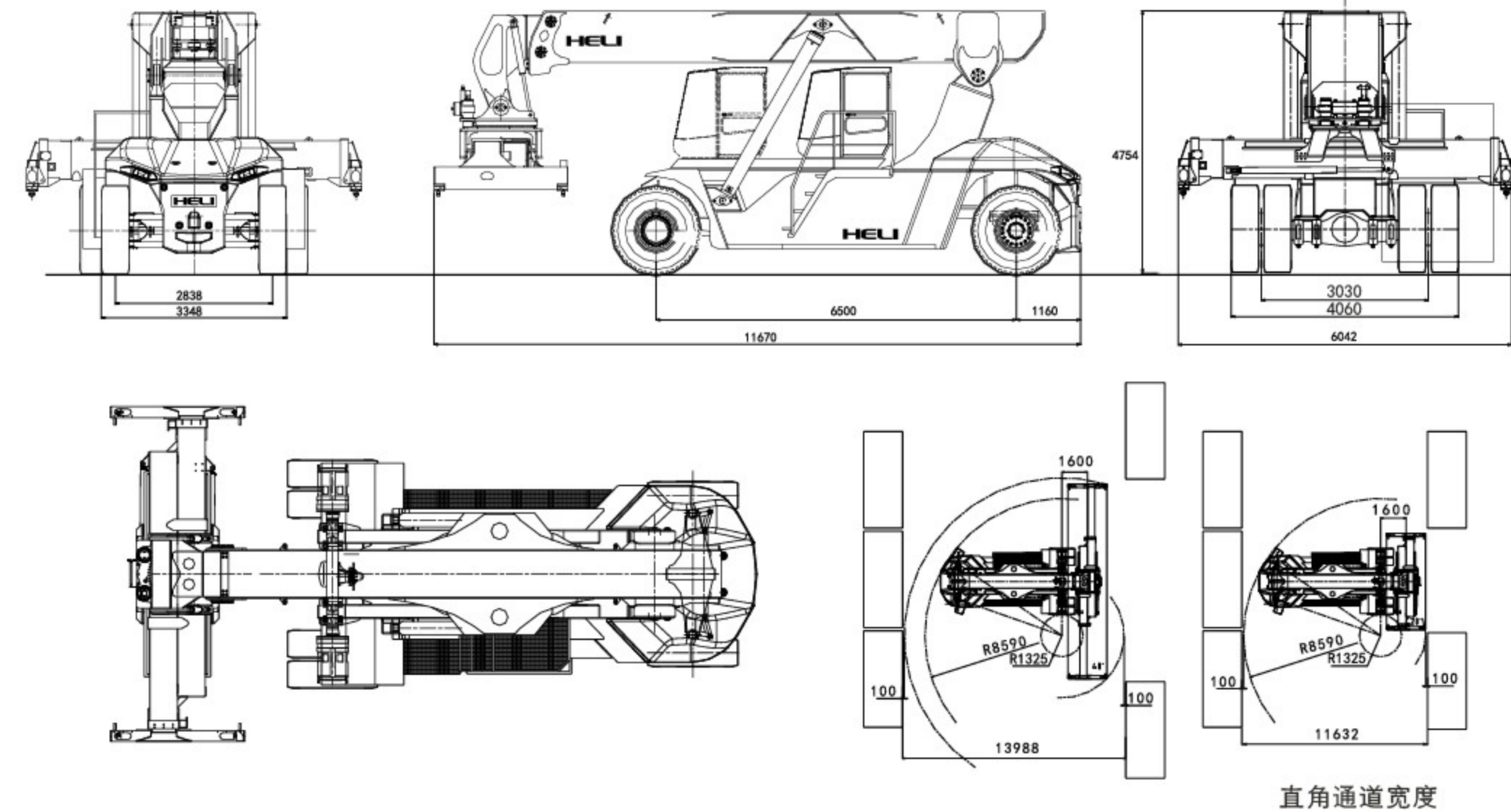
合力正面吊运机

HELI REACH STACKERS

载荷图: Loading Diagram



外形尺寸: Formal Size



性能参数 Performance specifications

型号 Model		RSH4528-VO2	RSH4532-VO2	RSH4536-VO2	
起重量 Lifting capacity	第一排/第二排/第三排 First row/second row/third row	Kg	45000/28000/14000	45000/32000/16000	45000/36000/19000
载荷中心 Load center	第一排/第二排/第三排 First row/second row/third row	mm	1800/3850/6400	1800/3850/6400	1800/3850/6400
最大起升高度(第一排) Max. lifting height (first row)		mm	15050	15050	15050
集装箱吊具 Container Spreaders	侧移 Side shift	mm	+800~-800	+800~-800	+800~-800
	旋转 Rotation	°	-95~+185	-95~+185	-95~+185
最小转弯半径 Min. turning radius		mm	8590	8590	8590
吊臂最大倾角 Spreader max. tilting angle		°	60	60	60
轴距 Wheel base		mm	6500	6500	6500
轮距(前/后) Tread (front/rear)		mm	3030/2838	3030/2838	3030/2838
长度 Length		mm	11670	11670	11670
宽度 Width		mm	4060	4060	4060
吊臂最小高度 Height		mm	4754	4754	4754
轮胎 Tyre	规格 (前/后)		18.00-25-40PR 4/2	18.00-25-40PR 4/2	18.00-25-40PR 4/2
发动机 Engine			VOLVO TAD1151	VOLVO TAD1151	VOLVO TAD1151
变速箱(前/后) Transmission box (front/rear)			DANA TE27(4/4)	DANA TE27(4/4)	DANA TE27(4/4)
驱动桥 Drive axle			Kessler	Kessler	Kessler

*本公司保留更改产品设计和规格的权利, 恕不另行通知。
HELI products specification and design are subject to improvement and change without notice.



合力正面吊运机

HELI REACH STACKERS

RSH4528-VO2
RSH4532-VO2
RSH4536-VO2



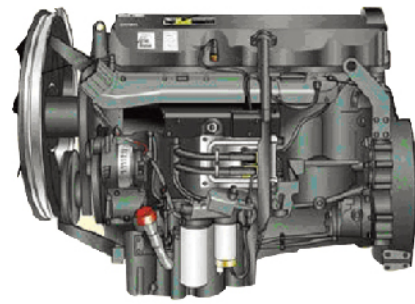
安徽合力股份有限公司
ANHUI HELI CO., LTD.
地址 / 中国·合肥方兴大道668号
Add / No.668, FangXing Road, Hefei, China
邮编 (Post Code) / 230000

邮箱(E-MAIL) / Sale-HVE@helichina.com
客服热线(Customer Service Hotline) / 4001-600761
服务电话(Service Tel) / +86-551-63689111, 63689365
传真(Fax) / +86-551-63689365

设计印刷: 厚利印刷 200410

www.helichina.com

> 主要技术特点 KEY CHARACTERISTICS



1 采用瑞典原装进口的VOLVOTAD1151VE发动机或美国原装进口的CUMMINS QSM11发动机，符合国三、欧美非公路机动设备环保排放第三阶段标准，配置进口专用发动机附件，保证发动机正常使用与维护。

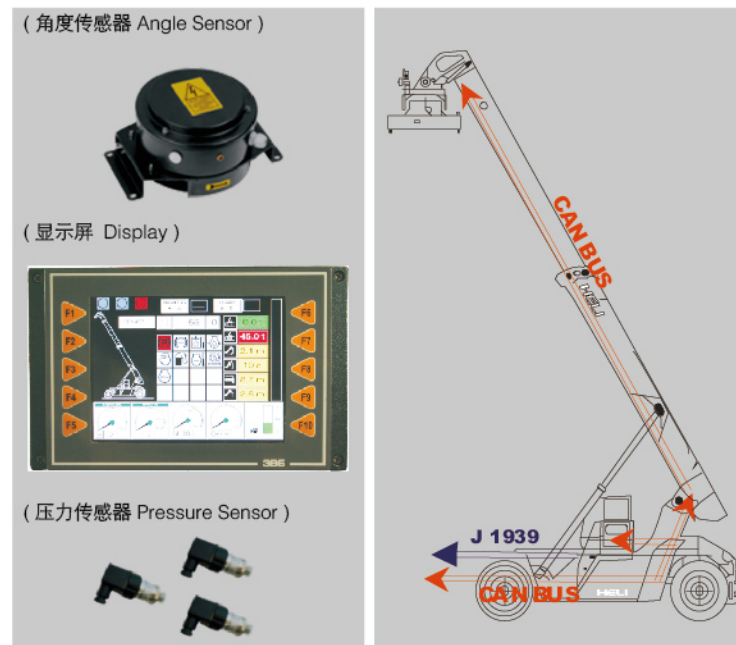
The imported VOLVOTAD1151VE diesel engine and the imported CUMMINS QSM11 diesel engine both conform to the environmental requirement of EU stage IIIA and American tier 3 for all vehicles and equipments off-high way. AS well, we adopted imported special accessories to engines to ensure the normal use and maintenance.

2 进口DANA TE27电液控制变速箱，能轻易实现各种控制操纵，具有完善的状态检测和自动控制、诊断、保护功能，通过CAN-BUS总线进行信息交互。

The imported TE27 of DANA electrical controlling transmissions can carry out various controlling operation. It has completed capability of self-inspection, automatic controlling, diagnosis and self-protection, as well, it could finish communication via can-bus.

3 电气系统采用模块化设计和CAN-BUS总线结构，将发动机、变速箱、制动、液压和吊具等各系统，联成一个完整的集成控制系统，来实施统一、协调的控制。此外，通过大屏幕彩色CAN-BUS总线交互式仪表，还具有极其便捷的在线监测、显示、设置和查询功能，非常可靠的自动诊断、自动报警和自动保护功能。

The electric system adopted the modular design and center controlling with CAN-BUS to integrate engine, transmission, braking, hydraulic and spreader and other systems together. Therefore, such an integrated controlling system can offer consolidate and harmonious controlling. Furthermore, on the big screen of CAN-BUS panel, The truck has functions of online-supervision, display, setup, inquiry, reliable self-diagnosis, self-alarmed and self-protection.



4 液压系统采用国际知名公司PARKER产品，液压系统采用P3系列恒功率变量泵系统、具有流量再生技术、LS负载感应系统，从而实现动力供给由负载决定，无级供油，无溢流损失，高效节能；全液压力转向，带负荷传感功能，转向更灵活、轻巧。转弯半径小，机动灵活性好。

PARKER product is adopted on the hydraulic system. with P3 series constant power various pump which has flow regeneration technology and LS load sensing system, the hydraulic system can offer power according to load, stepless oil supply and is high efficient and energy saving. Hydrostatic power steering with load sensing provides flexible and handy steering. The steering radius is small and the truck is flexible.

5 液压滑移式驾驶室，操作者可根据需求对驾驶室的位置进行前后调整，便于日常工作、维护及保养。驾驶室视野宽广，提高工作效率和安全性。

Hydraulic slide type cab is mounted. The operator can adjust the position of the cab according to the demand that can facilitate the daily work, service and maintenance. The wide-field cab improves work safety and efficiency.



(视野宽广的驾驶室) (Cab with wide view)

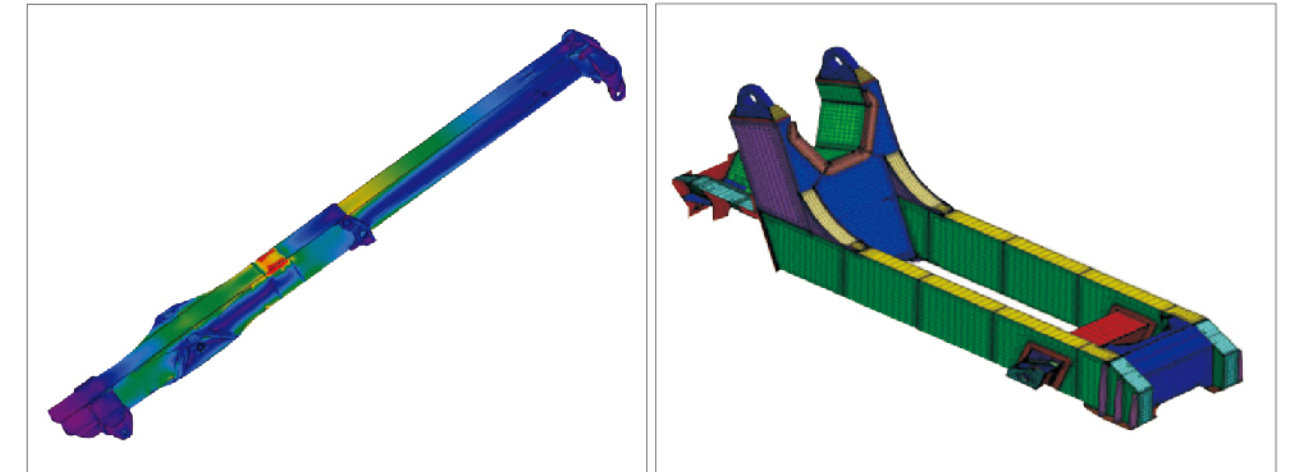
6 瑞典原装进口ELME吊具，该吊具是为正面吊运机特殊的作业工况而专门设计的产品，整体采用优质钢制造，强度高，视野好。

The ELME spreader that designed for the reach stackers' specific operating conditions has a single type main frame which enhances visibility when high stacking.



7 驱动桥选用德国Kessler公司的驱动桥。该桥桥荷、制动扭矩大，安全可靠；制动器为多片式湿式制动器，因此该制动器为全封闭式，防尘防水好，免维护；配备有钳盘式停车制动器；

The KESSLER heavy-duty drive axle with large capacity and brake torque is safe and reliable. The fully enclosed multiple-piece wet type brake is maintenance free, safe and reliable and caliper disc parking brake is equipped.



(结构件有限元分析)
Finited analyse to frameworks

8 在整机的研制过程中借助计算机技术，运用了最新的设计方法和手段；车架、伸缩臂等关键结构件均经CAE有限元分析、模态分析、动力学仿真分析等优化设计手段，以精准的理论数据支持为设计基础，确保整车稳定性和结构强度均符合设计标准。

The latest design methods and means and computer technology are applied during the developing of the truck. Optimized methods such as CAE finite element analysis, modal analysis, and dynamic simulation analysis and so on are used on frame, telescopic boom and other key parts. With accurate theoretic data as design basis, the competed truck stability and strength are ensure to meet the related design standard.

9 合力智能车队管理系统(选配)
HELI smart fleet management system (optional)

- 车辆定位
- 远程诊断
- 远程监控
- 维保提示
- 电池管理
- 统计报表
- 车辆管理
- 身份识别(选配)
- 称重管理(选配)
- Vehicle positioning
- Remote diagnosis
- Remote monitoring
- Maintenance reminder
- Battery management
- Statistical form
- Vehicle management
- Identification recognition (optional)
- Weight management (optional)

